



HOMESTEAD FENCE

QUALITY | INTEGRITY | EXPERIENCE

Vinyl Privacy and Picket Gate Kit

Installation Instructions



Read all instructions prior to installing product.

Refer to manufacturers safety instructions when operating any tools.

**WARNING:**

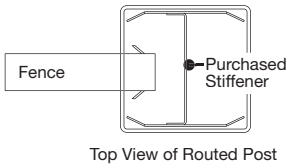
- Improper installation of this product can result in personal injury. Always wear safety goggles when cutting, drilling and assembling the product.
- Incorrect installation may cause harm to the gate or individual.
- Not pool code approved.
- Do not allow children to play with the gate.

NOTICE:

- DO NOT attempt to assemble the kit if parts are missing or damaged.
- For assistance or replacement parts call: 1-888-723-7761

BEFORE YOU BEGIN:

Vinyl gate posts require an internal support system for weight-bearing purposes therefore a post stiffener is required. Post stiffener needs to be purchased separately.

**TOOLS NEEDED:**

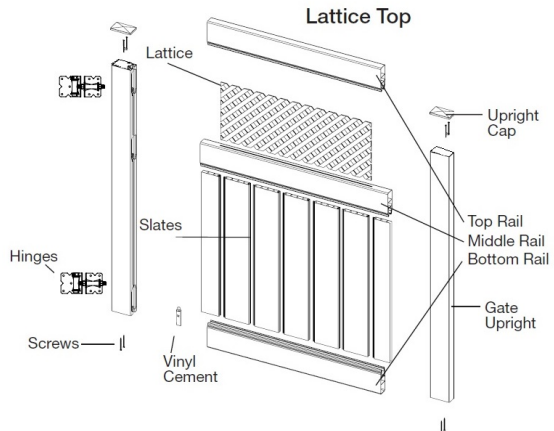
Phillips Screwdriver
Safety Glasses
Line Level
Tape Measure
Drill
#2 Square Drive Bit
Gate Hardware (Latch)

NOTE: Components shown are for visual reference only and may not depict the exact style of your product. Please see product label for correct number of pieces.

Lattice Top Gate

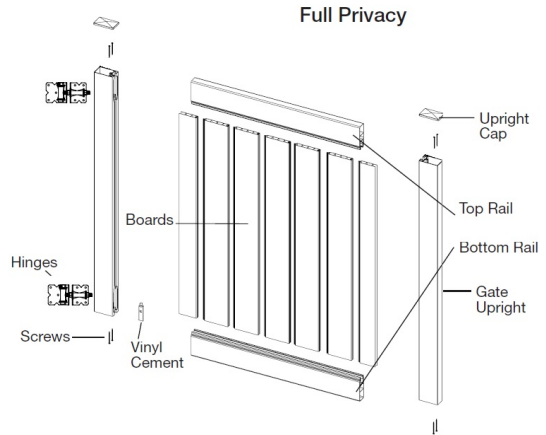
Component list:

Description
Lattice
Slates
Top Rail
Middle Rail
Bottom Rail
Gate Uprights
Upright Caps
Screws
Vinyl Cement
Hinges



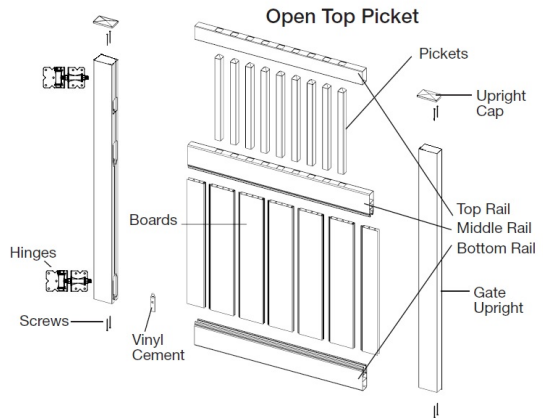
Full Privacy Gate
Component list:

Description
Boards
Top Rail
Bottom Rail
Gate Uprights
Upright Inserts
Upright Caps
Screws
Vinyl Cement
Hinges



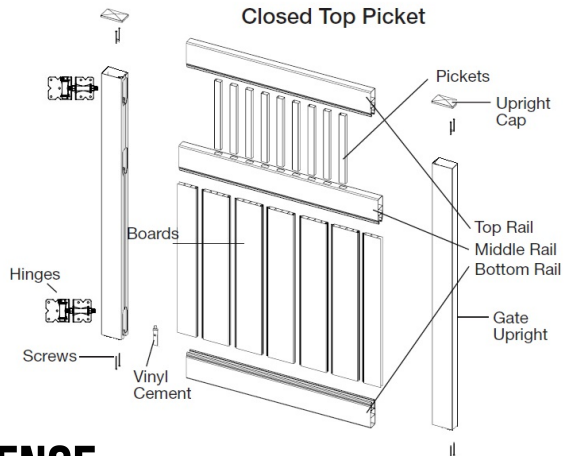
Open Top Picket Gate
Component list:

Description
Pickets
Boards
Top Rail
Middle Rail
Bottom Rail
Gate Uprights
Upright Inserts
Upright Caps
Screws
Vinyl Cement
Hinges



Closed Top Picket Gate
Component list:

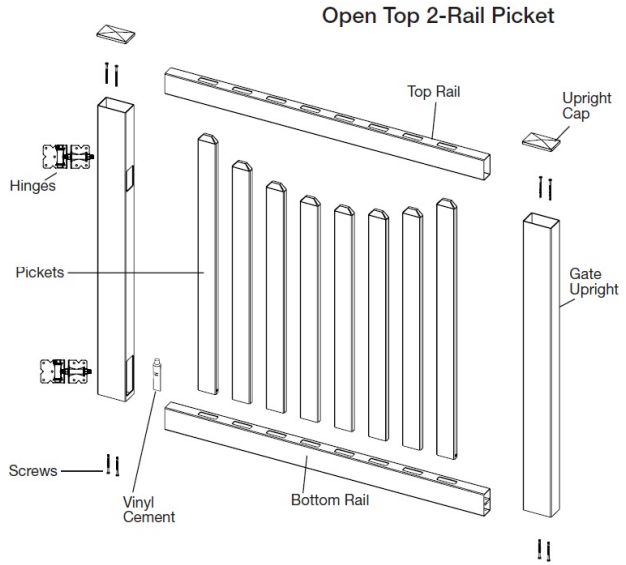
Description
Pickets
Boards
Top Rail
Middle Rail
Bottom Rail
Gate Uprights
Upright Inserts
Upright Caps
Screws
Vinyl Cement
Hinges



NOTE: Components shown are for visual reference only and may not depict the exact style of your product. Please see product label for correct number of pieces.

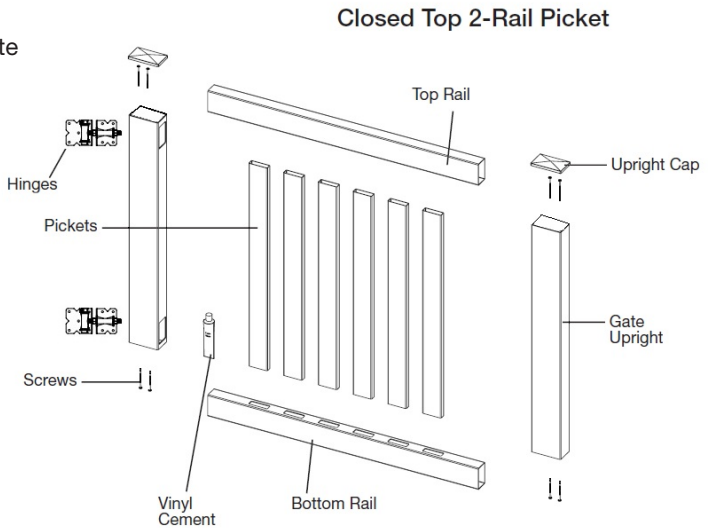
Open Top 2-Rail Picket Gate
Component list:

Description
Pickets
Top Rail
Bottom Rail
Gate Uprights
Upright Inserts
Upright Caps
Screws
Vinyl Cement
Hinges
#2 Square Extender Bit



Closed Top 2-Rail Picket Gate
Component list:

Description
Pickets
Top Rail
Bottom Rail
Gate Uprights
Upright Inserts
Upright Caps
Screws
Vinyl Cement
Hinges
#2 Square Extender Bit

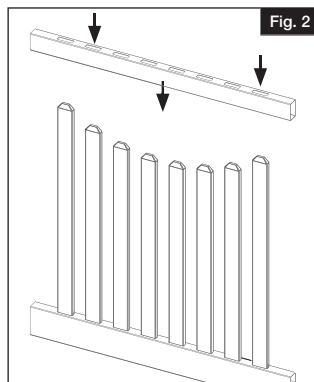
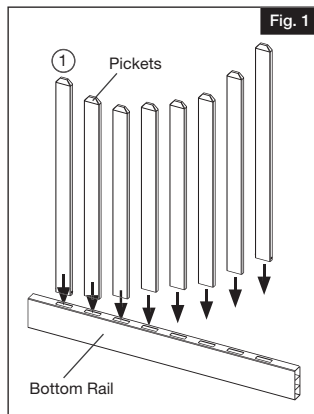
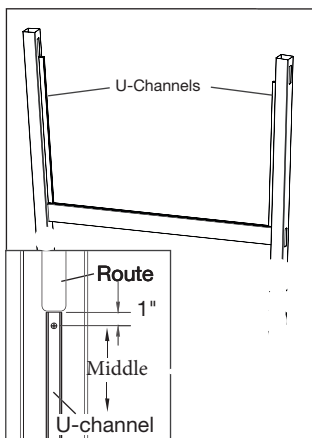


Take the time to read and understand these gate kit assembly instructions. Do a dry run assembling the gate. It is important NOT to glue the gate together until you have assembled the gate and made sure that the gate meets your specifications. Rails can be cut to make the gate smaller if necessary prior to assembly. By pre-assembling the gate it will insure that you have everything you need to complete the gate and that all of the pieces fit together properly. Trouble shooting your gate is much easier before it is permanently glued together.

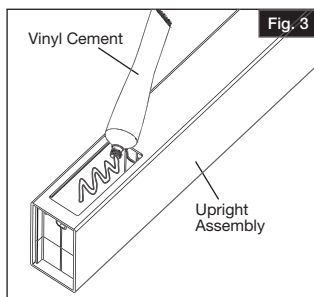
1. Lay gate components on a smooth, flat and clean surface. Begin by arranging the rails in the correct orientations.

For Privacy Panels:

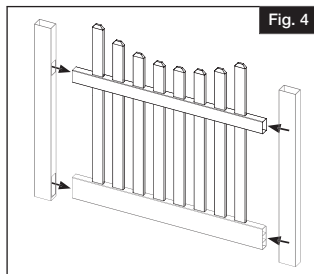
- a. Place structural post u-channel on post between routes and centered on face of post.
- b. Pre-drill 3 holes with a 1/16" drill bit, spacing out holes as shown (Fig. 6).
- c. Install structural post u-channel to posts with screws supplied.



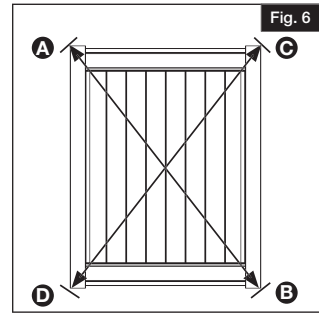
2.
 - a. Slide the pickets/boards into the bottom rail. If pickets/boards are numbered, follow the sequence from left to right (Fig. 1).
 - b. Slide the top rail over the pickets (Fig. 2).



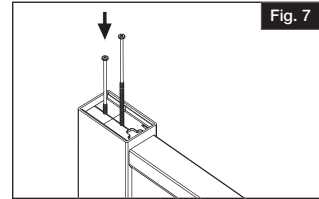
3.
 - a. Apply provided vinyl cement to all inside surfaces of the uprights where the rails will be installed (Fig. 3).
 - b. Attach uprights to rails (Fig. 4).



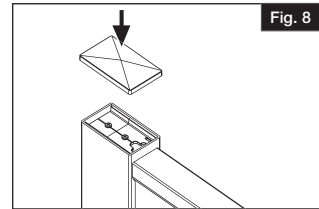
- 4.** Ensure gate is square. Measure diagonally from top of left corner rail (A) to bottom of right corner rail (B) and note the length. Then, measure diagonally from top of right corner rail (C) to bottom of left corner rail (D). Note the length. Make sure both measurements are the same before installing screws into uprights (Fig. 6).



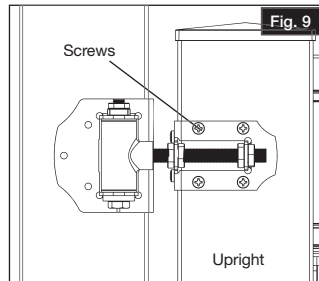
- 5.** Install two 6" screws (provided) through each upright insert and into the rail (Fig. 7).



- 6.** Install upright caps onto the top of each upright with remaining vinyl cement (Fig. 8).



- 7.** Attaching Hinge To The Upright:
- Attaching the hinges to the inside of the gate will allow the gate to open inward. When attaching them to the outside, the gate will swing outward.
 - Mark and pre-drill $3/32$ " pilot holes on top and bottom upright. Secure using screws (provided with the hinge) to front and side of the upright (Fig. 9). Repeat for the bottom hinge.



- 8.** Hold the gate level to the post, pre-drill holes with $3/32$ " bit and secure with screws to the post (Fig. 10). Repeat for the bottom hinge. Install anti-sag bar (optional)

NOTE:

Use 2" blocks to align the gate with the fence and help hold the gate steady (Fig. 11).

