



HOMESTEAD FENCE

QUALITY | INTEGRITY | EXPERIENCE

**HORIZONTAL
PRIVACY VINYL FENCE KIT**

Installation Instructions



Read all instructions prior to installing product.

Refer to manufacturers safety instructions when operating any tools.

WARNING:

- Improper installation of this product can result in personal injury. Always wear safety goggles when cutting, drilling and assembling the product.
- Incorrect installation may cause harm to the product or individual.
- Check local building codes to determine pool-safe fencing options.

NOTICE:

- DO NOT attempt to assemble the kit if parts are missing or damaged.
- DO NOT return the product to the store. For assistance or replacement parts call: 1-888-723-7761

BEFORE YOU BEGIN:

Check your local zoning laws.

- Local zoning laws and Home Owners Associations may regulate the location, style and height of your fence or even require a permit signoff beforehand.
- Check local codes for frost line depth and regulations.
- Additional products and assembly may be required to meet wind code requirements. Notice of acceptance (NOA) can be found at www.miamidade.gov/building/pc-search_app.asp

Contact your local utilities companies.

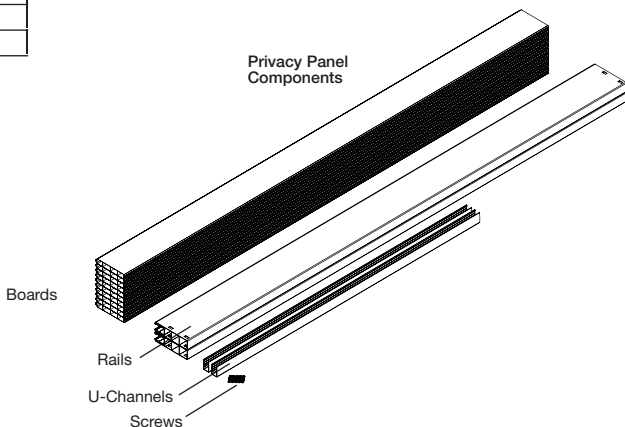
- You must have the utility companies clearly mark your property for electrical, gas or water lines to avoid puncturing any unseen underground utilities.

TOOLS/MATERIALS NEEDED:

Posts
Post Tops
Concrete
Coarse Gravel (6" per hole)
Post Hole Digger/Shovel
String Line Stakes with String
Level
Tape Measure
Rubber Mallet
Safety Glasses
Glue
Drill
Driver Bit

Component list:

Description
Rails
Boards
Structural Post U-Channels
Screws



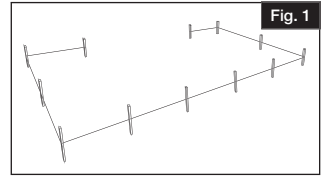
HOMESTEAD FENCE
QUALITY | INTEGRITY | EXPERIENCE

1.

Mark the fence location using string and line stakes (Fig. 1).

NOTE:

Plan gate placement, opening and hardware clearance before installing fencing.



2.

Post Location:

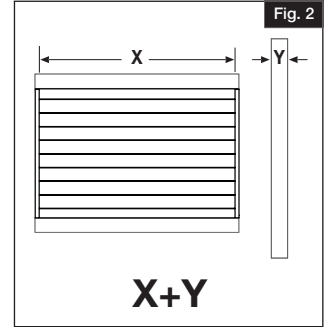
Measure the width of the fence panel (X) plus the width of the post (Y). This is the common center-to-center measurement (unless there is a cut-down panel) for post hole location (Fig. 2).

Post Installation:

Dig first two post holes in diameter based on size chart below* and down to your specified frost line. Insert filler/gravel into the bottom of both holes and then set first post in post hole.

Add wet or dry concrete mix according to the manufacturer's instruction to the top of the hole for first post only and level it.

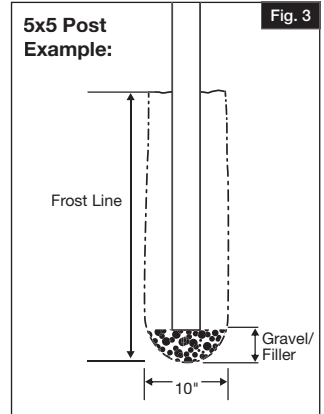
Example: When your frost line is 36" insert 12" of gravel/ filler and 24" of post with concrete surrounding (Fig. 3).



*

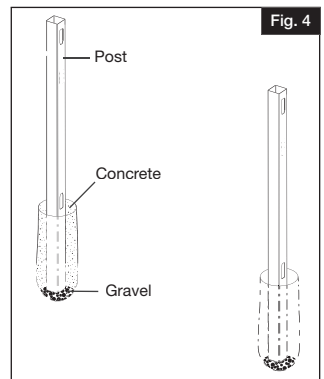
Diameters based on post size:

10" for 5" x 5" post



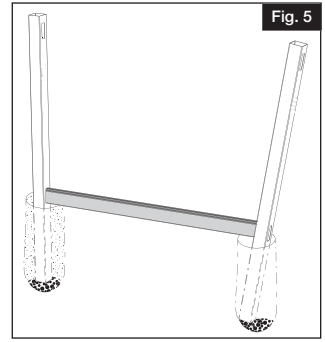
3.

Repeat post installation for second post by inserting gravel, post, then concrete mix. Take care that posts remain level. (Fig. 4). Panel should be about 2" above the ground.



4.

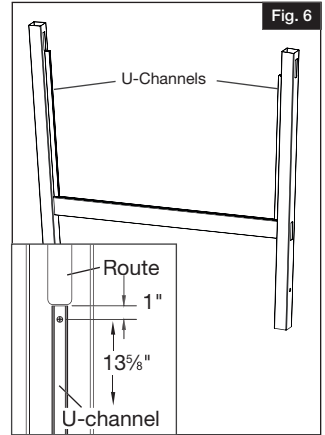
Insert bottom rail into bottom post route hole of first post only (Fig. 5).



5.

For Full Privacy Panels:

- Place structural post u-channel on post between routes and centered on face of post.
- Pre-drill 5 holes with a $\frac{1}{16}$ " drill bit, spacing out holes as shown (Fig. 6).
- Install structural post u-channel to posts with screws supplied.

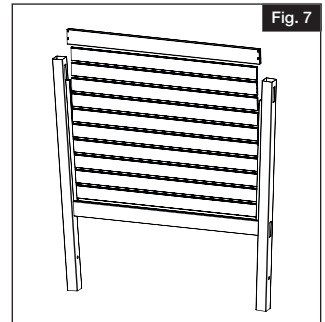


6.

Begin inserting boards horizontally, working up from the bottom.

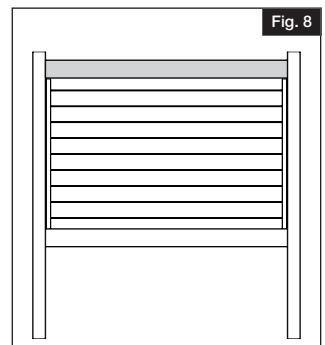
NOTE:

Boards may need to be inserted at an angle to start for easier installation. (Fig. 7).



7.

- Insert the top rail into the first top hole post route then guide over top of boards (Fig. 8).
- Proceed to Step 8.



8.

Apply glue on inside rim of post tops then attach to posts (Fig. 9). Repeat these steps until completed.

