



HOMESTEAD FENCE

QUALITY | INTEGRITY | EXPERIENCE

* ƒ' - ž \$Ł Žı (·
' ı ! Ł \$ & Ł* ° Ć - /ı " Ć ı

Ł^a - ° š · š ° ¥ *^a Ł^a - ° ® ± 0 € *^a -



' 0š^a ° ı; % & 0€ Ÿı ° « '3 š ° 0€ š ·
- ± ¥ 0š - « ± (±) j '2 Ÿı «



Read all instructions prior to installing product.
Refer to manufacturers safety instructions when operating any tools.

**WARNING:**

- Improper installation of this product can result in personal injury. Always wear safety goggles when cutting, drilling and assembling the product.
- Incorrect installation may cause harm to the product or individual.
- Check local building codes to determine pool-safe fencing options.

NOTICE:

- DO NOT attempt to assemble the kit if parts are missing or damaged.
- For assistance or replacement parts call: 1-888-341-6327

BEFORE YOU BEGIN:

Check your local zoning laws.

- Local zoning laws and Home Owners Associations may regulate the location, style and height of your fence or even require a permit signoff beforehand.
- Check local codes for frost line depth and regulations.
- Additional products and assembly may be required to meet wind code requirements. Notice of acceptance (NOA) can be found at www.miamidade.gov/building/pc-search_app.asp

Contact your local utilities companies.

- You must have the utility companies clearly mark your property for electrical, gas or water lines to avoid puncturing any unseen underground utilities.

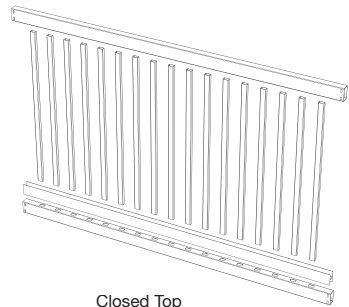
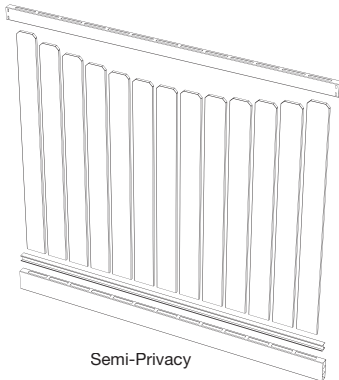
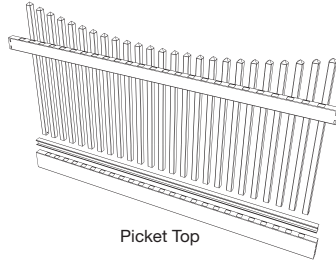
TOOLS NEEDED:

Posts
Post Tops
Concrete
Coarse Gravel (6" per hole)
Post Hole Digger/Shovel
String Line Stakes with String
Level
Tape Measure
Rubber Mallet
Safety Glasses
Glue

Component list:

Description
Rails
Boards*
Pickets*

*Included depending on style

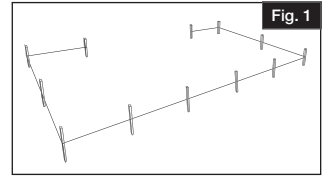


1.

Mark the fence location using string and line stakes (Fig. 1).

NOTE:

Plan gate placement, opening and hardware clearance before installing fencing.



2.

Post Location:

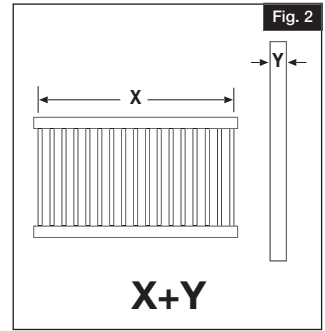
Measure the width of the fence panel (X) plus the width of the post (Y). This is the common center-to-center measurement (unless there is a cut-down panel) for post hole location (Fig. 2).

Post Installation:

Dig post holes in diameter based on size chart below* and down to your specified frost line. Insert filler/gravel into the bottom of both holes and then set first post in post hole.

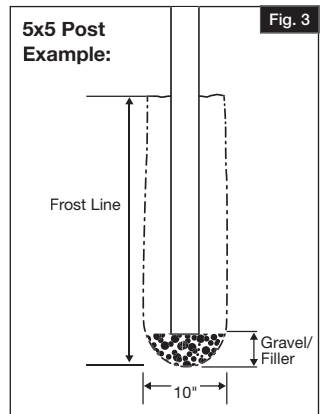
Add wet or dry concrete mix according to the manufacturer's instruction to the top of the hole for first post only and level it.

Example: When your frost line is 36" insert 12" of gravel/ filler and 24" of post with concrete surrounding (Fig. 3).



* Diameters based on post size:

10" for 5" x 5" post
8" for 4" x 4" post



3.

For Picket Panels:

- a. Insert top and bottom rails into top and bottom post hole routes of both posts (Fig. 4).
- b. Starting from the left side, insert pickets/boards down through the top rail. Finish by locking pickets/boards into bottom rail (Fig. 5).

NOTE:

Scalloped and arched panels have pickets/boards that are numbered. Start from left side with #1 picket/board first.

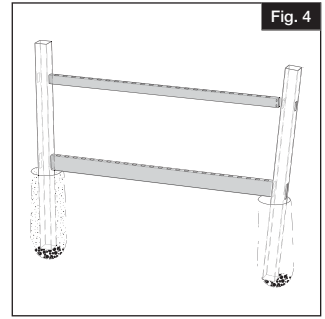


Fig. 4

For Closed Top/Semi-Privacy Panels:

- a. Insert bottom rail into bottom post hole routes of both posts (Fig. 6).

NOTE:

Some semi-privacy panels will have a middle rail. Insert the bottom and middle rails into the bottom and middle post hole routes of both posts.

- b. Starting from the left side, insert pickets/boards down into the bottom rail (Fig. 7).

NOTE:

If panel has a middle rail, insert pickets/boards down through the middle rail and then into the bottom rail.

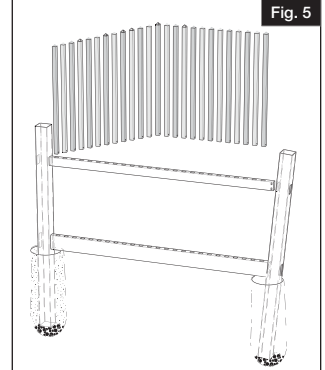


Fig. 5

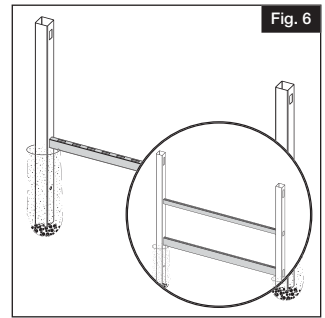


Fig. 6

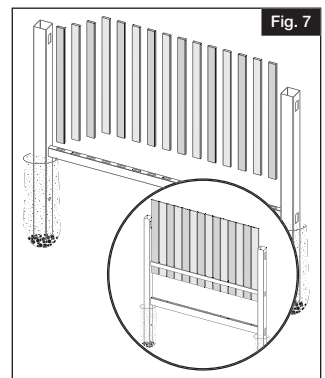
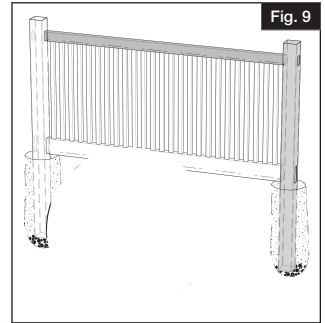
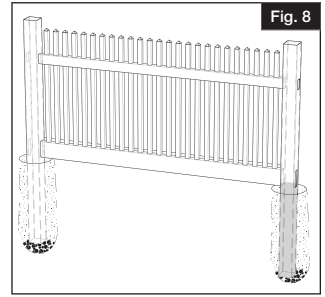


Fig. 7

4.

For Closed Top/Semi-Privacy Panels:

Add top rail to pickets/boards working from left to right. Once top rail is engaged with all pickets/boards, snap top rail into both top post hole routes (Fig. 9). Plumb and level second post and add concrete according to manufacturer's instructions to top of post hole.



5.

Apply glue on inside rim of post tops then attach to posts (Fig. 11).

