



HOMESTEAD FENCE

QUALITY | INTEGRITY | EXPERIENCE

PRIVACY FENCE

Installation Instructions

Full Privacy - Lattice Top - Closed Top
Open Top - 8' High Full Privacy



Scan the QR code to watch
a quick YouTube video



Read all instructions prior to installing product.

Refer to manufacturers safety instructions when operating any tools.

WARNING:

- Improper installation of this product can result in personal injury. Always wear safety goggles when cutting, drilling and assembling the product.
- Incorrect installation may cause harm to the product or individual.
- Check local building codes to determine pool-safe fencing options.

NOTICE:

- DO NOT attempt to assemble the kit if parts are missing or damaged.
- For assistance or replacement parts call: 1-888-723-7761.

BEFORE YOU BEGIN:

Check your local zoning laws.

- Local zoning laws and Home Owners Associations may regulate the location, style and height of your fence or even require a permit signoff beforehand.
- Check local codes for frost line depth and regulations.
- Additional products and assembly may be required to meet wind code requirements. Notice of acceptance (NOA) can be found at www.miamidade.gov/building/pc-search_app.asp

Contact your local utilities companies.

- You must have the utility companies clearly mark your property for electrical, gas or water lines to avoid puncturing any unseen underground utilities.

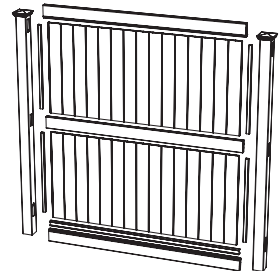
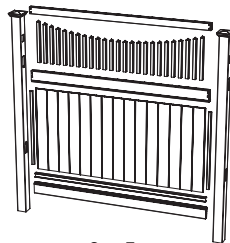
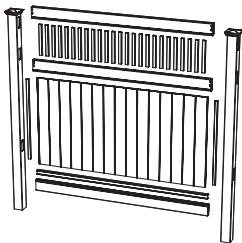
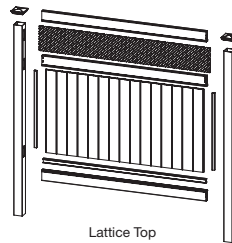
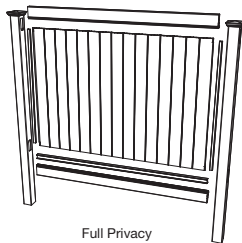
TOOLS/MATERIALS NEEDED:

Posts
Post Tops
Concrete
Coarse Gravel (6" per hole)
Post Hole Digger/Shovel
String Line Stakes with String
Level
Tape Measure
Rubber Mallet
Safety Glasses
Glue

Component list:

Description
Rails
Boards
U-Channels
Pickets*
Lattice*

*Included depending on style



1

Mark the fence location using string and line stakes (Fig. 1).

NOTE:

Plan gate placement, opening and hardware clearance before installing fencing.

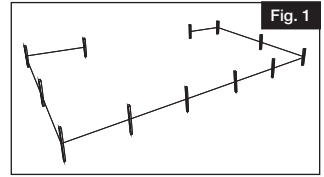


Fig. 1

2

Post Location:

Measure the width of the fence panel (X) plus the width of the post (Y). This is the common center-to-center measurement (unless there is a cut-down panel) for post hole location (Fig. 2).

Post Installation:

Dig first two post holes in diameter based on size chart below* and down to your specified frost line. Insert filler/gravel into the bottom of both holes and then set first post in post hole.

Add wet or dry concrete mix according to the manufacturer's instruction to the top of the hole for first post only and level it.

Example: When your frost line is 36" insert 12" of gravel/ filler and 24" of post with concrete surrounding (Fig. 3).

*

Diameters based on post size:

10" for 5" x 5" post

8" for 4" x 4" post

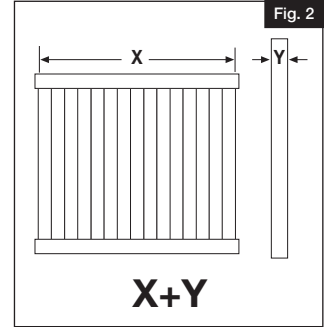


Fig. 2

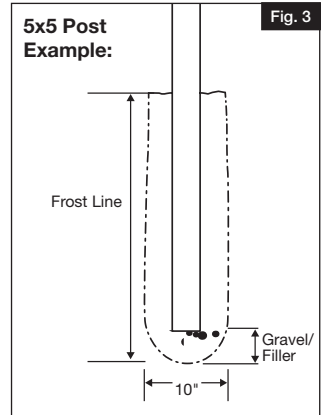


Fig. 3

3

Insert 6" of gravel/filler into the bottom of both holes and then set both posts into the ground and level the first post.

Add wet or dry concrete mix according to manufacturer's instructions to the top of the first post hole (Fig. 4). Make sure panel will be 2" above the ground.

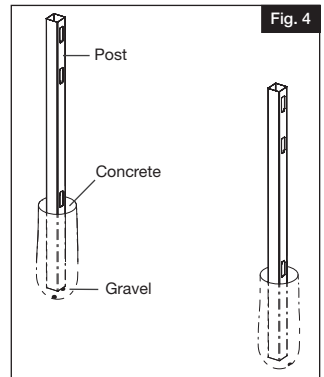


Fig. 4

3

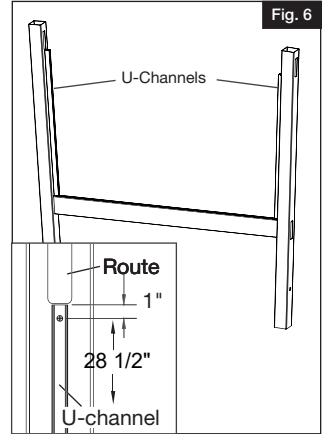
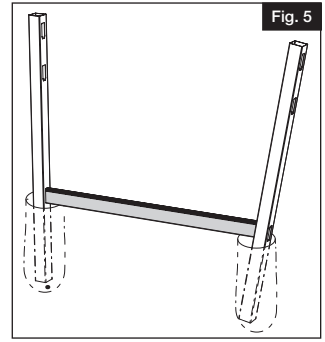
4

included in the kit, place aluminum insert into bottom rail, then insert bottom rail into bottom post route hole of first post only (Fig. 5). Panels with 7" rails and 8x6 panels do not require aluminum inserts.

NOTE:

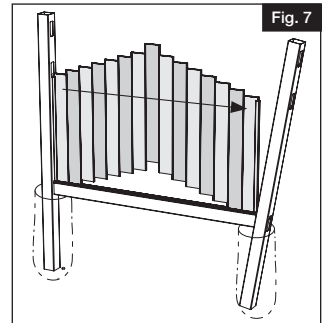
5

- Place structural post u-channel on post between routes and centered on face of post.
- Pre-drill 3 holes with a $\frac{1}{16}$ " drill bit, spacing out holes as shown (Fig. 6).
- Install structural post u-channel to posts with screws supplied.



6

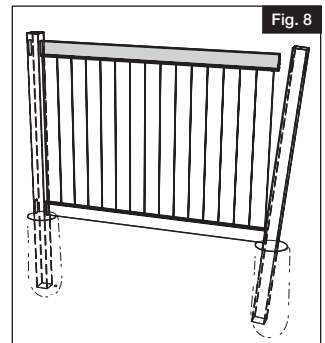
Insert boards into bottom rail ensuring U-channels are on both ends. Start from first installed post and work towards second post (Fig. 7).



7

For Full Privacy Panels (Excluding 8' High):

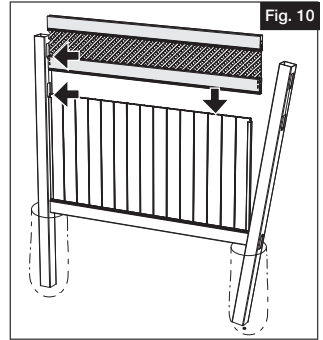
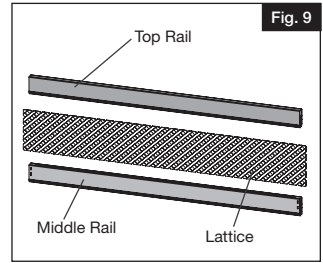
- Insert the top rail into the first top hole post route then guide over top of boards (Fig. 8).
- Proceed to Step 8.



4

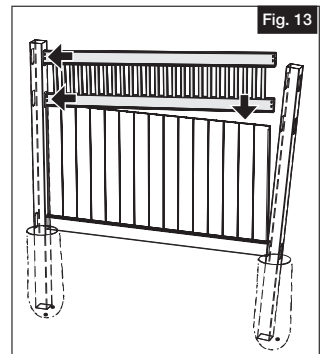
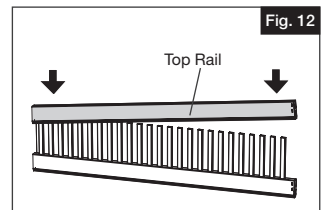
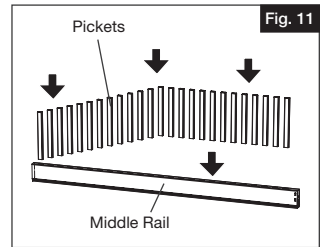
For Lattice Top Panels:

- a. Place lattice into the middle rail followed by the top rail (Fig. 9).
- b. Finally, add the completed top assembly into the route holes of the first post (Fig. 10).
- c. Proceed to Step 8.



For Closed Top Panels:

- a. Insert pickets into middle rail (Fig 11).
- b. Guide top rail over picket tops (Fig. 12).
- c. Finally, add the completed top assembly into the route holes of the first post (Fig. 13).
- d. Proceed to Step 8.



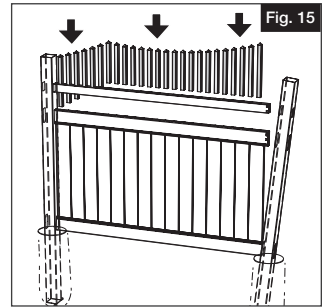
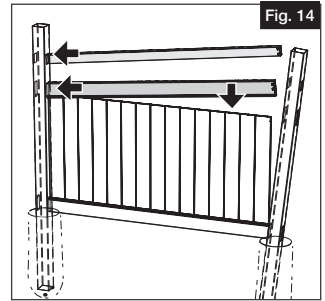
For Open Top Panels with Pickets:

- a. Attach middle rail into left side of post route only then guide rail over boards. Insert top rail into left post route holes of first post only (Fig. 14).
- b. Insert pickets down through top and middle rail (Fig. 15).

NOTE:

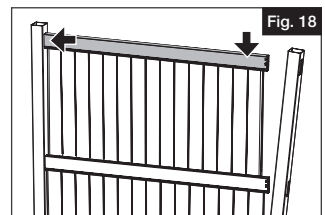
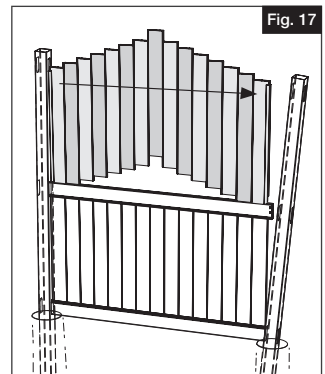
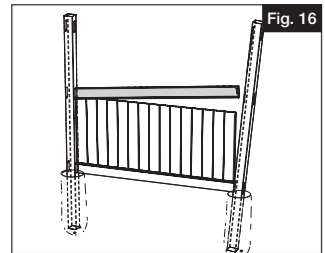
Scalloped and Arched panels have pickets/boards that are numbered. Start from left side with the #1 picket/board first.

- c. Proceed to Step 8.



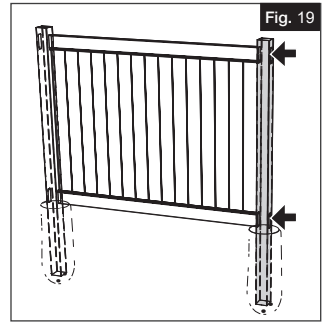
For 3-Rail (8' High) Privacy Panels:

- a. Insert the middle rail into middle post route holes of first post only (Fig. 16).
- b. Insert top boards into middle rail ensuring U-Channels are on both ends. Start from first installed post and work towards second post (Fig. 17).
- c. Insert the top rail into the first top hole post route then guide over top of boards (Fig. 18).
- d. Proceed to Step 8.



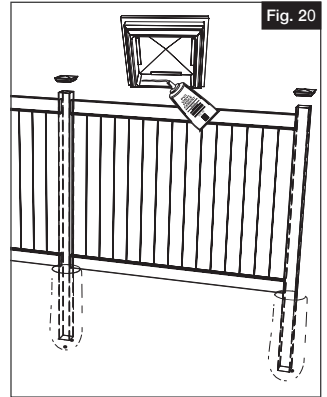
8

Insert the completed fence panel into the route holes of the second fence post. Plumb and level the post and add concrete according to manufacturers instructions to top of hole (Fig. 19).



9

Apply glue on inside rim of post tops then attach to posts (Fig. 20). Repeat these steps until completed.



7



HOMESTEAD FENCE
QUALITY | INTEGRITY | EXPERIENCE